

Robust General-Purpose Limit Switch

WL

Wide Selection of Two-Circuit Double-Break Limit Switches

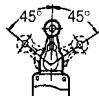






- Rugged diecast housing
- High mechanical strength
- Oiltight, waterproof, dustproof construction
- Overtravel and high-precision types available
- Choose switches with neon lamp or LED status indicator



Ordering Information

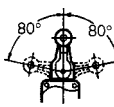






■ BASIC TYPE SIDE ROTARY SWITCHES

Total travel 45 degrees, with one-way operation option, 1/2-14NPT conduit (-TS type)

Actuator 		Part number					
		Complete switch 	Head with lever 	Lever 	Head 	Built-in switch 	Leverless 
Roller lever	Short (38 mm radius)	WLCA2-TS	WL-1H1100	WL-1A100	WL-1H	W-10FB3	WLRCA2-TS
	Medium (50 mm radius)	WLCA2-7TS	WL-1H1200	WL-1A200			
	Long (63 mm radius)	WLCA2-8TS	WL-1H1300	WL-1A300			
Adjustable roller lever		WLCA12-TS	WL-1H2100	WL-2A100			
Adjustable rod lever (140 mm)		WLCL-TS	WL-4H4100	WL-4A100	WL-4H		WLRCL-TS
Fork lock lever	Left roller on front, right roller on back	WLCA32-41TS	WL-5H5100	WL-5A100	WL-5H		WLRCA32-TS
	Left roller on back, right roller on front	WLCA32-42TS	WL-5H5102	WL-5A102			
	Both rollers on front	WLCA32-43TS	WL-5H5104	WL-5A104			

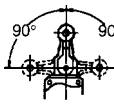






■ OVERTRAVEL TYPE SIDE ROTARY SWITCHES

Total travel 80 degrees, without one-way operation option, 1/2-14NPT conduit (-TS type)

Actuator 		Part number					
		Complete switch 	Head with lever 	Lever 	Head 	Built-in switch 	Leverless 
Roller lever	Short (38 mm radius), standard sensitivity	WLH2-TS	WL-2H1100	WL-1A100	WL-2H	W-10FB3	WLRH2-TS
	Short, high sensitivity	WLG2-TS				W-10FB3-8	WLRG2-TS
Adj. roller lever	Standard sensitivity	WLH12-TS	WL-2H2100	WL-2A100		W-10FB3	WLRH2-TS
	High sensitivity	WLG12-TS				W-10FB3-8	WLRG2-TS
Adj. rod lever	140 mm, std. sensitivity	WLHL-TS	WL-2H4100	WL-4A100		W-10FB3	WLRH2-TS
	140 mm, high sensitivity	WLGL-TS				W-10FB3-8	WLRG2-TS
	380 mm, std. sensitivity	WLHAL4-TS			WL-2H3100	WL-3A100	W-10FB3
Spring rod lever		WLHAL5-TS	WL-2H3200	WL-3A200			

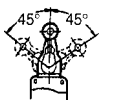






■ OVERTRAVEL TYPE SIDE ROTARY SWITCHES

Total travel 90 degrees, with one-way operation option (-2N type), 1/2-14NPT conduit (-TS type)

Actuator 		Part number					
		Complete switch 	Head with lever 	Lever 	Head 	Built-in switch 	Leverless 
Roller lever	Short (38 mm radius)	WLCA2-2NTS	WL-6H1100	WL-1A100	WL-6H	W-10FB3	WLRCA2-2NTS
Adj. roller lever		WLCA12-2NTS	WL-6H2100	WL-2A100			WLRCA12-2NTS
Adj. rod lever, 140 mm		WLCL-2NTS	WL-6H3100	WL-3A100			WLRCA14-2NTS




■ HIGH PRECISION TYPE SIDE ROTARY SWITCHES

Total travel 45 degrees, with one-way operation option, 1/2-14NPT conduit (-TS type)

Actuator 		Part number					
		Complete switch 	Head with lever 	Lever 	Head 	Built-in switch 	Leverless 
Roller lever	Short (38 mm radius)	WLGCA2-TS	WL-1H1100-1	WL-1A100	N/A	W-10FB3-4	WLRGCA2-TS
	Medium (50 mm radius)	WLGCA2-7TS	WL-1H1200-1	WL-1A200			
	Long (63 mm radius)	WLGCA2-8TS	WL-1H1300-1	WL-1A300			
Adjustable roller lever		WLGCA12-TS	WL-1H2100-1	WL-2A100			
Adjustable rod lever (140 mm)		WLGCL-TS	WL-4H4100-1	WL-4A100			WLRGCL-TS




■ PLUNGER SWITCHES

1/2-14NPT conduit (-TS type)

Actuator	Part number		
	Complete switch	Head with actuator	Built-in switch
			
Top plunger	WLD-TS	WL-7H100	W-10FB3
Top roller plunger	WLD2-TS	WL-7H200	
Top sealed roller plunger	WLD28-TS	WL-7H400	
Top ball plunger	WLD3-TS	WL-7H300	
Horizontal plunger	WLS-D-TS	WL-8H100	W-10FB3-4
Horizontal roller plunger	WLS-D2-TS	WL-8H200	
Horizontal ball plunger	WLS-D3-TS	WL-8H300	

■ COIL SPRING / STEEL WIRE SWITCHES

1/2-14NPT conduit (-TS type)

Actuator	Part number		
	Complete switch	Head with actuator	Built-in switch
			
Coil spring, 6.5 mm dia.	WNJ-TS	WL-9H100	W-10FB3
Coil spring, 5.0 mm dia.	WLNJ30-TS	WL-9H200	
Steel wire, 1.0 mm dia.	WLNJ-S2TS	WL-9H400	
Nylon rod, 8.0 mm dia.	WLNJ-2TS	WL-9H300	

■ STATUS INDICATOR EQUIPPED SWITCHES

Any of the WL switches above can be ordered with a neon or LED indicator that shows normally open and normally closed status. For a neon indicator, add "-LE" to the end of a part number, for example, **WLD2-TSLE**. For an LED indicator, add "-LD" to the end of a part number, for example, **WLCA2-TSLD**.

■ MODEL NUMBER LEGEND

Base Units

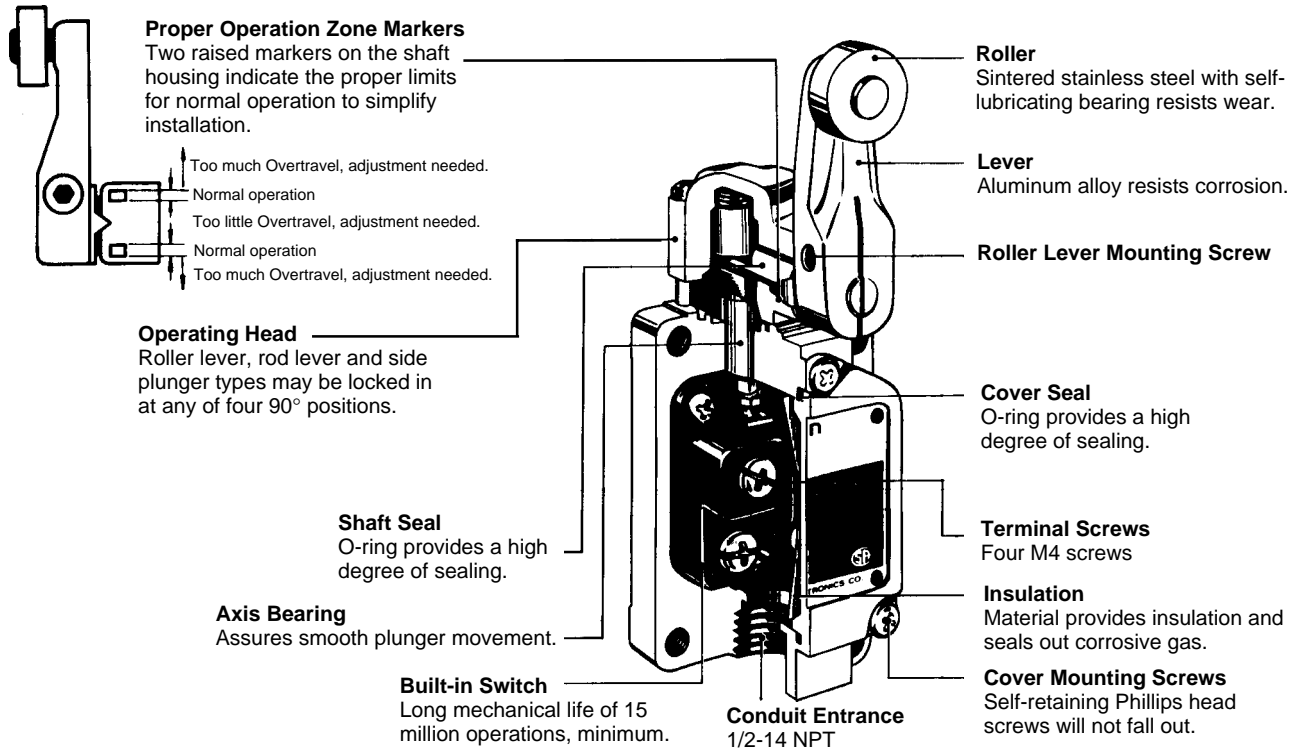
WL - □□-□□□□□□□□□□
 1 2 3 4 5 6 7 8 9 10 11

Identifier	Symbol	Definition	
1	Electrical ratings	None	10A, 125/250/480 VAC Rivet
		01	0.1 A, 125/250 VAC Micro current/voltage crossbar
2	Head, actuator	—	See following "Head and Actuator Chart"
3	Corrosion	None	Non-corrosion-proof or acid-proof
		RP	Corrosion-proof type
		P1	Acid-proof type
4	Built-in switch	None	W-10FB3 (standard type)
		55	W-10FB3-55 (special hermetic type)
5	Operating temp.	None	-10°C to 80°C
		TH	5°C to 120°C (high temp. type)
		TC	-40°C to 40°C (low temp. type)
6	Special hermetic	None	Without cable/no part is molded/standard switch (W-10FB3)
		136	With 5M VCI cable pre-wired/conduit opening is resin-molded/standard built-in switch (W-10FB3)
		139	With 5M VCI cable pre-wired/conduit opening and case cover are resin-molded/standard built-in switch (W-10FB3)
		140	With 5M VCI cable pre-wired/special hermetic built-in switch (W-10FB3-55)
		141	With 5M VCI cable pre-wired/conduit opening and case cover are resin-molded/special hermetic built-in switch (W-10FB3-55)
		RP40	With 5M S-flex cable pre-wired/conduit opening and case cover are resin-molded/special hermetic built-in switch (W-10FB3-55)/special molding head
		RP60	With 5M S-flex cable pre-wired/conduit opening and case cover are resin-molded/special hermetic built-in switch (W-10FB3-55)/viton sealed
7	Conduit	None	PF 1/2 without Earth Terminal
		G1	PF 1/2 with Earth Terminal
		G	PG 13.5 with Earth Terminal
		Y	M20 with Earth Terminal
		TS	1/2-14NPT with Earth Terminal
8	Operating indicator	None	Without indicator
		LE	With neon indicator (125 to 250 VAC)
		LD	With LED indicator (10 to 115 VAC/VDC)
9	Lever clamping	None	With single nuts
		A	With double nuts
10	Spatter proof option	None	Non-spatter-proof type
		S	Spatter-proof type
11	Pre-wired connector/ receptacle option	None	Screw terminal
		K13	4-pin receptacle (NO, DC type, wired no.3 & no.4)
		K13A	4-pin receptacle (NO, AC type, wired no.3 & no.4)
		K43	4-pin receptacle (DC type, all wired)
		K43A	4-pin receptacle (AC type, all wired)
		-M1J	Pre-wired connector (4-pin, NO, DC type, wired no.3 & no.4, 0.3m cable)
		-AGJ03	Pre-wired connector (4-pin, AC type, 0.3m cable)
-DGJ03	Pre-wired connector (4-pin, DC type, 0.3m cable)		

Head and Actuator Chart

Symbol	Definition
CA2	Roller lever, short (38 mm radius), with one-way operation option
CA2-7	Roller lever, medium (50 mm radius), with one-way operation option
CA2-8	Roller lever, long (63 mm radius), with one-way operation option
H2	Roller lever, short (38 mm radius), overtravel: 80 degrees
G2	Roller lever, short (38 mm radius), overtravel: 80 degrees, high sensitivity
CA2-2	Roller lever, short (38 mm radius), overtravel: 90 degrees
CA2-2N	Roller lever, short (38 mm radius), overtravel: 90 degrees, with one-way operation option
GCA2	Roller lever, short (38 mm radius), high precision, with one-way operation option
GCA2-7	Roller lever, medium (50 mm radius), high precision, with one-way operation option
GCA2-8	Roller lever, long (63 mm radius), high precision, with one-way operation option
CA12	Adjustable roller lever, with one-way operation option
H12	Adjustable roller lever, overtravel: 80 degrees
G12	Adjustable roller lever, overtravel: 80 degrees, high sensitivity
CA12-2	Adjustable roller lever, overtravel: 90 degrees
CA12-2N	Adjustable roller lever, overtravel: 90 degrees, with one-way operation option
GCA12	Adjustable roller lever, high precision
CL	Adjustable rod lever (140 mm), with one-way operation option
HL	Adjustable rod lever (140 mm), overtravel: 80 degrees
HLAL4	Adjustable rod lever (380 mm), overtravel: 80 degrees
GL	Adjustable rod lever (140 mm), overtravel: 80 degrees, high sensitivity
CL-2N	Adjustable rod lever (140 mm), overtravel: 90 degrees, with one-way operation option
HAL5	Spring rod lever, overtravel: 80 degrees
CA32-41	Fork lock lever, left roller on front, right roller on back, with one-way operation option
CA32-42	Fork lock lever, left roller on back, right roller on front, with one-way operation option
CA32-43	Fork lock lever, both rollers on front, with one-way operation option
D	Top plunger
D2	Top roller plunger
D28	Top sealed roller plunger
D3	Top ball plunger
SD	Horizontal plunger
SD2	Horizontal roller plunger
SD3	Horizontal ball plunger
NJ	Coil spring, 6.5 mm dia.
NJ-30	Coil spring, 5.0 mm dia.
NJ-2	Nylon rod, 8.0 mm dia.
NJ-2S	Steel wire, 1.0 mm dia.

Construction



Specifications

■ GENERAL RATINGS

Rated voltage	Non-inductive load				Inductive load			
	Resistive load		Lamp load		Inductive load		Motor load	
	NC	NO	NC	NO	NC	NO	NC	NO
125 VAC	10 A	10 A	3 A	1.5A	10 A		5 A	2.5 A
250 VAC	10 A	10 A	2 A	1 A	10 A		3 A	1.5 A
480 VAC	10 A	10 A	1.5 A	0.8 A	3 A		1.5 A	0.8 A
600 VAC	3 A	1 A	1 A	0.5 A	1.5 A		1 A	0.5 A
8 VDC	10 A		6 A	3 A	10 A		6 A	
14 VDC	10 A		6 A	3 A	10 A		6 A	
30 VDC	6 A		4 A	3 A	6 A		4 A	
125 VDC	0.8 A		0.2 A		0.8 A		0.2 A	
250 VDC	0.4 A		0.1 A		0.4 A		0.1 A	

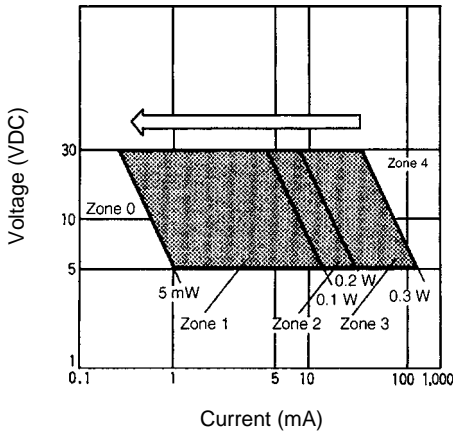
- Note: 1. Inductive loads have a power factor of 0.4 min. (AC) and a time constant of 7 ms max. (DC).
 2. Lamp load has an inrush current of 10 times the steady-state current.
 3. Motor load has an inrush current of 6 times the steady-state current.

Microvoltage/Current Load Model (WL01□)

Rated voltage	Resistive Load
125 VAC	0.1 A
30 VDC	

Recommended Load Range (DC only)

Zones 1 through 3



Note: Without neon lamp model

■ EN60947-5-1 RATINGS

Model	Category and rating	Thermal current (i_{the})	Indicator
WL□	AC-15 2 A/250 VAC DC-12 2 A/48 VDC	10 A	None
WL01□	AC-14 0.1 A/125 VAC DC-12 0.1 A/48 VDC	0.5 A	None
WL□-LE	AC-15 2 A/250 VAC	10 A	Neon lamp
WL01□-LE	AC-14 0.1 A/125 VAC	0.5 A	Neon lamp
WL□-LD	AC-15 2 A/115 VAC DC-12 2 A/48 VDC	10 A	LED
WL01□-LD	AC-14 0.1 A/115 VAC DC-12 0.1 A/48 VDC	0.5 A	LED

■ CHARACTERISTICS

Operating speed		1 mm/s to 2 m/s (with WLCA2)
Operating frequency	Mechanical	120 operations/min.
	Electrical	30 operations/min.
Insulation resistance		100 MΩ min. (at 500 VDC)
Contact resistance		25 mΩ (initial)
Dielectric strength		1,000 VAC (600 VAC for overtravel model), 50/60 Hz for 1 min between non-continuous terminals 2,200 VAC, 50/60 for 1 min between each terminal and non-current-carrying metal part and between each terminal and ground
Rated impulse withstand voltage (U_{imp})		4 kV
Rated insulation voltage (U_i)		300 VAC (EN60947-5-1)
Thermal current (I_{thc})		10 A (0.5 A for micro load type) (EN60947-5-1)
Short-circuit protective device		10 A fuse (type gG, IEC269 approved, EN60947-5-1)
Conditional short circuit current		100 A (EN60947-5-1)
Operating environment pollution degree		3 (EN60947-5-1)
Protection against electric shock		Class I
Temperature rise		50° max
Vibration resistance	Malfunction	10 to 55 Hz, 1.5 mm double amplitude
Shock resistance (See Note 1.)	Destruction	1,000 m/s ² (approx. 100G)
	Malfunction	300 m/s ² (approx. 30 G)
Ambient temperature	Operating	-10°C to 80°C (14°F to 176°F) with no icing
Ambient humidity	Operating	95% max
Life expectancy	Mechanical	15,000,000 operations min. (See Note 2.)
	Electrical	See <i>Engineering Data</i>
Enclosure ratings	UL	Types 3, 4 and 13
	NEMA	Types 1, 2, 3, 3R, 4, 5, 6, 12 and 13
	IEC	IP67
Weight		Approx. 275 g (with WLCA2)

Note: 1. Excludes the coil spring models (-NJ)
2. Overtravel model, low differential model, wobble stick model and micro load model: 10,000,000 operations min.

■ APPROVED STANDARDS

Approval	Standard	File no.
UL	UL508	E76675
CSA	CSA C22.2 no. 14	LR45746
TÜV	EN60947-5-1	R9551016
SEV	SEV	93.5 51936.01
LR	LR	88/10274 (E3)

■ OPERATING CHARACTERISTICS

Legend: OF = Operating Force (max.); RF = Reset Force (min.); OT = Overtravel (min.); PT = Pretravel

MD = Movement Differential (max.); OP = Operating Position; TT = Total Travel (min.); TTP = Total Travel Position (mm/inch)

Part number	Description	OF	RF	OT	PT	MD	OP	TT(P)
WLCA2-TS	Short roller lever	1.36 kg	227 g	30°	15° ±5°	12°	—	40°
		(3 lb)	(8.01 oz.)					
WLCA2-7TS	Medium roller lever	1.04 kg	170 g	30°	15° ±5°	12°	—	40°
		(2.3 lb)	(6.00 oz.)					
WLCA2-8TS	Long roller lever	820 g	137 g	30°	15° ±5°	12°	—	40°
		(28.92 oz.)	(4.83 oz.)					
WLCA12-TS*	Adjustable roller lever	1.36 kg	227 g	30°	15° ±5°	12°	—	40°
		(3 lb)	(8.01 oz.)					
WLCL-TS**	Adjustable rod lever	142 g	28 g	30°	15° ±5°	12°	—	40°
		(5.00 oz.)	(0.99 oz.)					
WLCA32-41TS	Fork roller lever, left front, right back	1.2 kg	—	35°	50° ±5°	—	—	90° ±10°
		(2.7 lb)						
WLCA32-42TS	Fork roller lever, left back, right front	1.2 kg	—	35°	50° ±5°	—	—	90° ±10°
		(2.7 lb)						
WLCA32-43TS	Fork roller lever, both on front	1.2 kg	—	35°	50° ±5°	—	—	90° ±10°
		(2.7 lb)						
WLD-TS	Plain top plunger	2.72 kg	910 g	6.4 mm	1.7 mm	1 mm	34 ±0.8 mm	29.5 mm
		(6 lb)	(2.01 lb)	(0.252 in)	(0.067 in)	(0.04 in)	(1.34 ±0.03 in)	(1.16 in)
WLD2-TS	Top roller plunger	2.72 kg	910 g	5.6 mm	1.7 mm	1 mm	44 ±0.8 mm	39.5 mm
		(6 lb)	(2.01 lb)	(0.220 in)	(0.067 in)	(0.04 in)	(1.73 ±0.03 in)	(1.56 in)
WLD28-TS	Top sealed roller plunger	1.7 kg	450 g	5.6 mm	1.7 mm	1 mm	44 ±0.8 mm	39.5 mm
		(3.75 lb)	(15.87 oz.)	(0.220 in)	(0.067 in)	(0.04 in)	(1.73 ±0.03 in)	(1.56 in)
WLD3-TS	Top ball plunger	2.72 kg	910 g	4 mm	1.7 mm	1 mm	44.5 ±0.8 mm	41 mm
		(6 lb)	(2.01 lb)	(0.157 in)	(0.067 in)	(0.04 in)	(1.75 ±0.03 in)	(1.61 in)
WLS-D-TS	Horizontal plain plunger	4.082 kg	907 g	6.4 mm	2.8 mm	1 mm	40.6 ±0.8 mm	—
		(9.01 lb)	(2.00 lb)	(0.252 in)	(0.110 in)	(0.04 in)	(1.60 ±0.03 in)	
WLS-D2-TS	Horizontal roller plunger	4.082 kg	907 g	5.6 mm	2.8 mm	1 mm	54.2 ±0.8 mm	—
		(9.01 lb)	(2.00 lb)	(0.220 in)	(0.110 in)	(0.04 in)	(2.13 ±0.03 in)	
WLS-D3-TS	Horizontal ball plunger	4.082 kg	907 g	4 mm	28 mm	1 mm	54.2 ±0.8 mm	—
		(9.01 lb)	(2.00 lb)	(0.157 in)	(0.110 in)	(0.04 in)	(2.13 ±0.03 in)	
WLNJ-TS***	Coil spring, 6.5 mm dia.	150 g	—	—	20 mm ±10 mm	—	—	—
		(5.29 oz.)			(0.79 ±0.39 in)			
WLNJ30-TS***	Coil spring, 5.0 mm dia.	150 g	—	—	20 mm ±10 mm	—	—	—
		(5.29 oz.)			(0.79 ±0.39 in)			
WLNJ-S2TS***	Steel wire	29 g	—	—	40 mm ±20 mm	—	—	—
		(1.02 oz.)			(1.58 ±0.79 in)			
WLNJ-2TS***	Nylon rod	150 g	—	—	40 mm ±20 mm	—	—	—
		(5.29 oz.)			(1.58 ±0.79 in)			

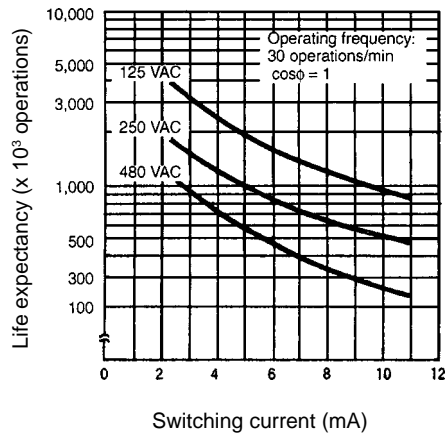
Note: * Operating characteristics of WLCA-12-TS is measured at arm length of 38 mm (1.496 in).

** Operating characteristics of WLCL-TS is measured at the rod length of 140 mm (5.512 in)

*** Operating characteristics are measured at the tip of the coil spring or steel wire.

Engineering Data

■ ELECTRICAL LIFE EXPECTANCY



■ CONTACT RATINGS

NEMA A600 for SPDT switches without status indicators:

10 A at 125, 250, 480 VAC
 1/2 HP at 125 VAC, 1 HP at 250 VAC
 0.8 A at 125 VDC, 0.4 A at 250 VDC
 0.1 A at 600 VDC

NEMA A300 for SPDT switches with neon status indicator type

■ CONTACT RESISTANCE

25 mΩ max (initial)

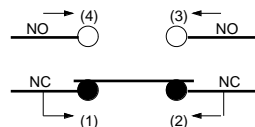
■ ELECTRICAL APPROVALS

UL Recognized, File No. E76675
 CSA Certified, File No. LR45746

Operation

■ CONTACT FORM

Standard/microload models

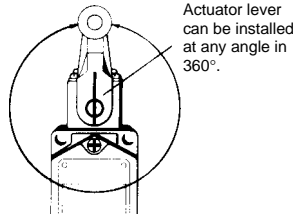


SPST-NO model



■ ROTARY ACTUATOR POSITIONING

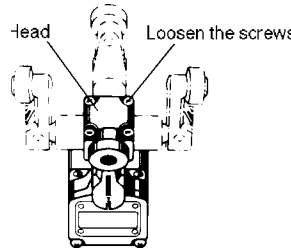
Actuators for rotary switches such as WLCA□-TS roller lever and WLCL-TS rod lever switches can be positioned within a 360° range. Loosen the Allen-head set bolt on the side of the actuator, position the actuator, then tighten in place.



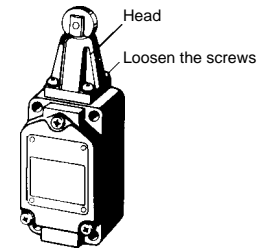
■ OPERATING HEAD POSITIONING

The operating head of many switches can be set to four 90° positions to match installation requirements. Loosen the four Phillips head screws on the operating head, and lift the head off. Then, position with the shaft in the desired direction. Replace the four screws to fasten the operating head. Applicable switches include those with roller levers (WLCA□-TS), rod levers (WLCL-TS), horizontal plungers (WLSD□-TS) and roller plungers (WLD2-TS and WLD28-TS).

Example of roller lever, rod lever and horizontal plunger switches

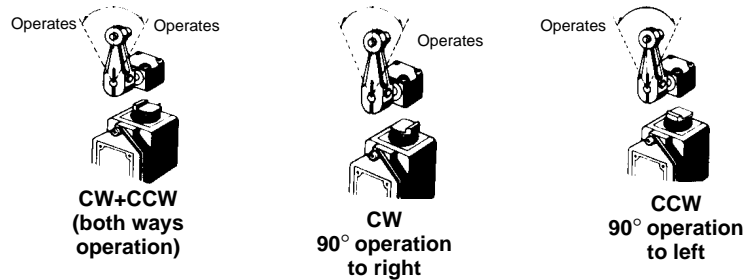


Example of roller plunger switches



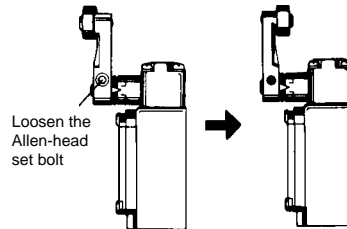
■ OPERATING DIRECTION OF STANDARD SWITCHES

Rotary actuator switches can be set for clockwise (CW), counterclockwise (CCW) or operation both ways (CW+CCW). To change the operating direction, loosen the four screws on the switch head. Then, lift off the head. The plunger marker inside is set parallel with the face plate, as shown at right. Turn the plunger so the marking faces left for CW or right for CCW as shown. Replace the actuator head in the direction suitable for the installation and tighten the four screws.



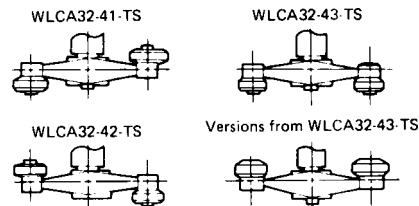
■ ROLLER LEVER ACTUATOR POSITIONING

The roller(s) on roller lever actuators may be faced inward toward the operating head or use the more typical installation with the roller lever facing away from the body. To change the actuator position, loosen the Allen-head set bolt, pull the actuator off, and reposition it on the shaft. Then, tighten the set bolt at the desired angle.



■ FORK ROLLER LEVER ACTUATORS

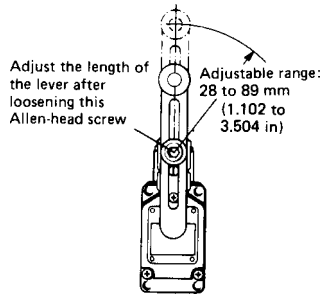
The illustration at right indicates the differences among the fork lever actuators. All may be reversed as shown above.



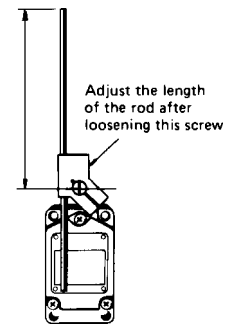
■ ADJUSTING LEVER AND ROD LENGTH

Switches with adjustable lever and rod actuators can be set to desired length by loosening the Allen-head set screw, setting the length. Then tighten the set screw.

Rod lever switch

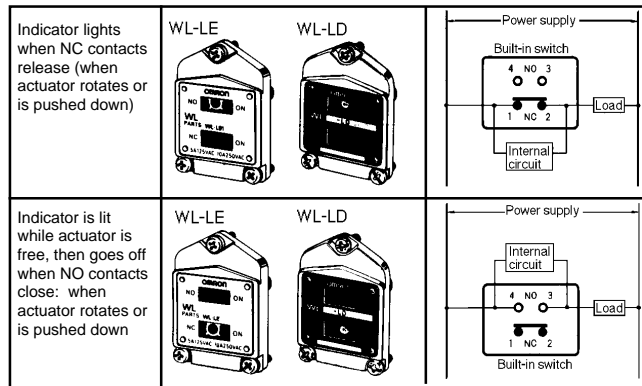


Adjustable roller lever switch



■ STATUS INDICATOR EQUIPPED SWITCH OPERATION

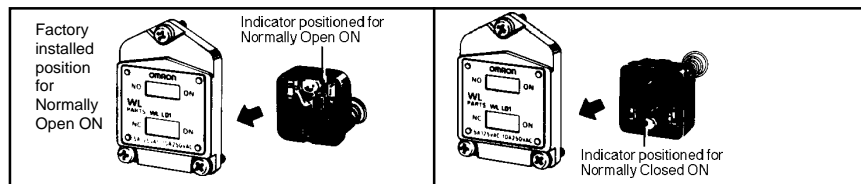
WL switches are available with neon lamp (WL0000-TS-LE) or LED (WL0000-TS-LD) status indicators for easy monitoring and troubleshooting. They come factory-set for Normally Open operation ON. It is easy to change the status to Normally Closed operation ON. See the Installation section for details.



When connecting a limit switch to a programmable controller, select the neon lamp or LED with the smallest leakage current. Refer to the table at right.

Part number	Indicator type	Rated voltage	Leakage current
WL0000-TS-LE	Neon lamp	125 VAC 250 VAC	Approx. 0.6 mA Approx. 1.9 mA
WL0000-TS-LD	LED	10 to 115 VAC 10 to 115 VDC	Approx. 1 mA

To change operation to Normally Closed ON, remove the cover from the switch body, and rotate lamp holder 180°. Then, replace the unit in the housing.

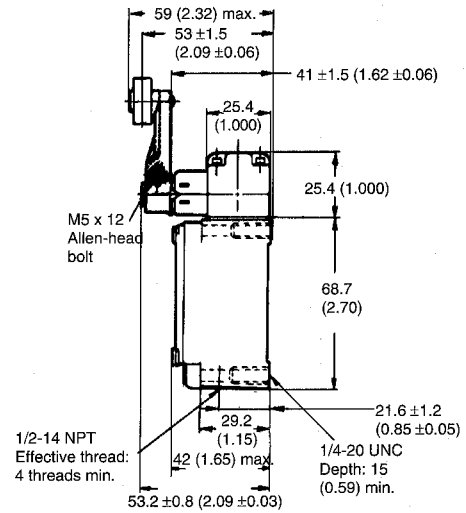
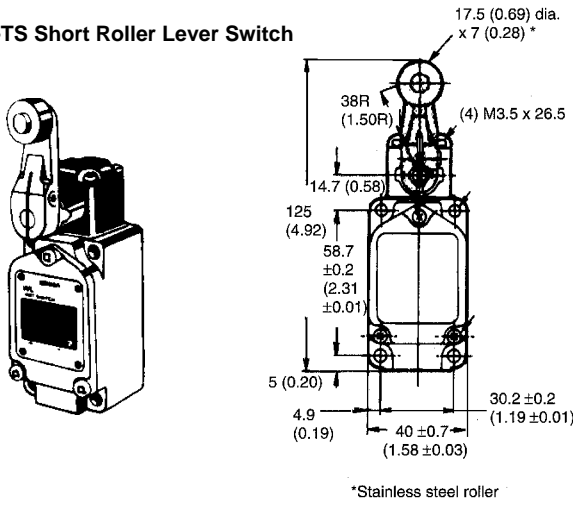


Dimensions

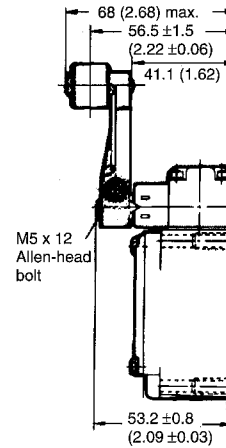
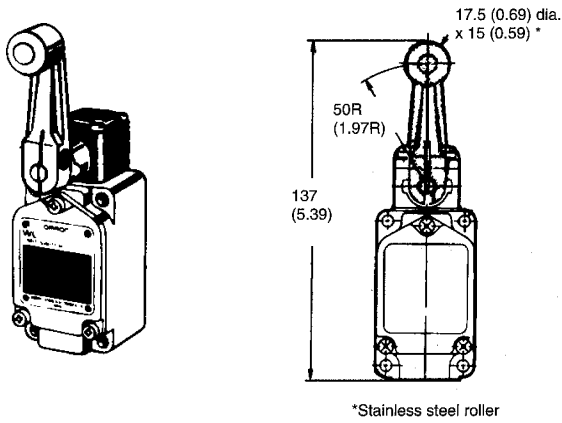
Unit: mm (inch)

■ LIMIT SWITCHES

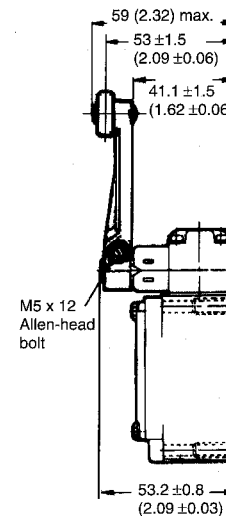
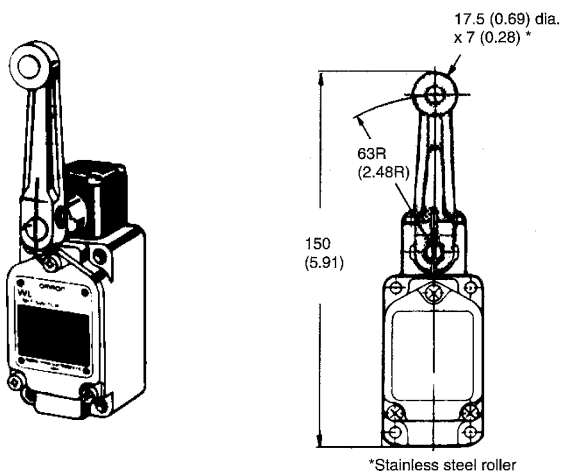
WLCA2-TS Short Roller Lever Switch



WLCA2-7TS Medium Roller Lever Switch

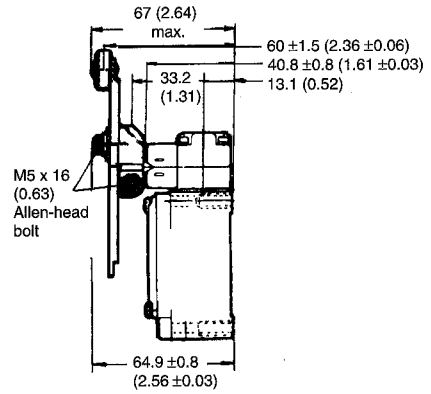
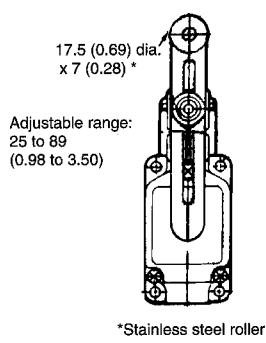
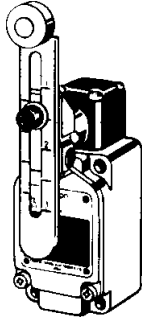


WLCA2-8TS Long Roller Lever Switch

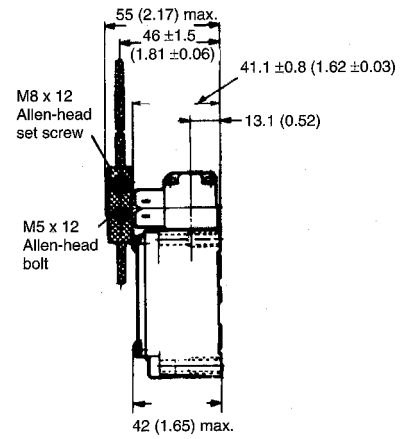
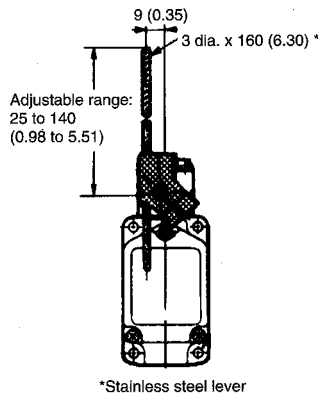
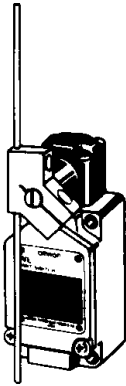


Unit: mm (inch)

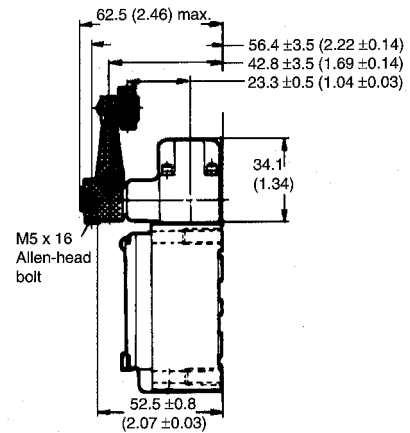
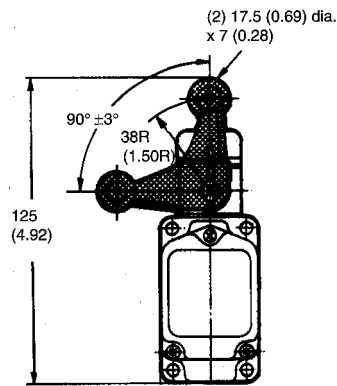
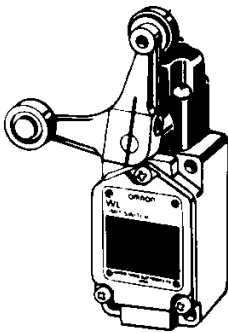
WLCA12-TS Adjustable Roller Lever Switch



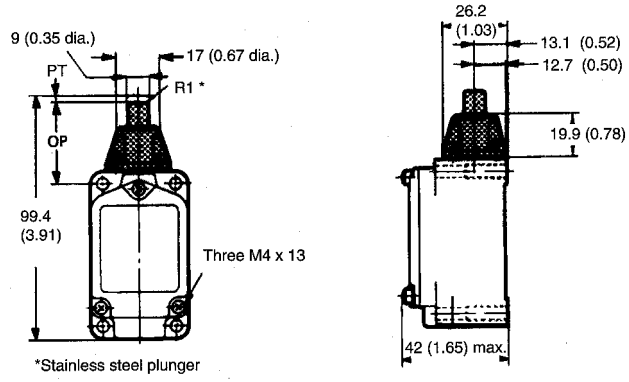
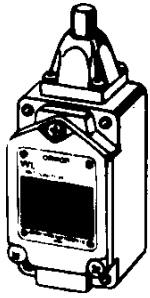
WLCL-TS Adjustable Rod Lever Switch



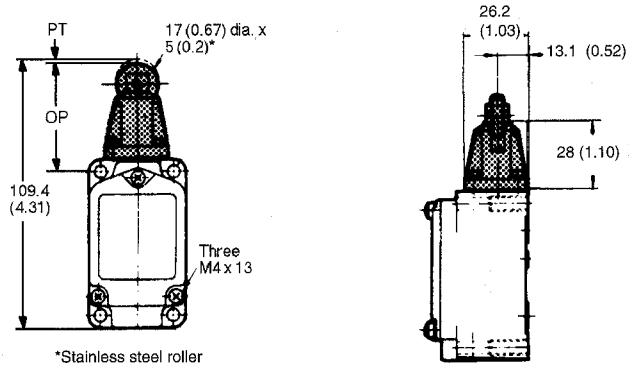
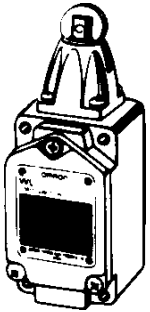
WLCA32-41, WLCA32-42, WLCA32-43 Fork Roller Lever Switches



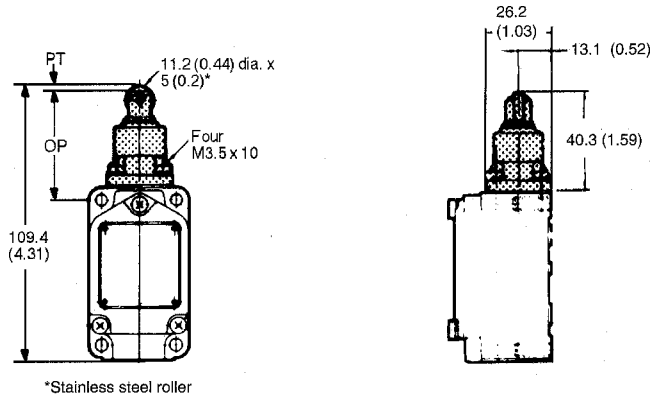
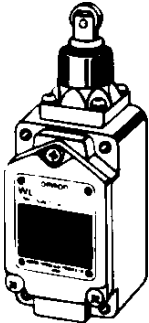
WLD-TS Plain Plunger Switch



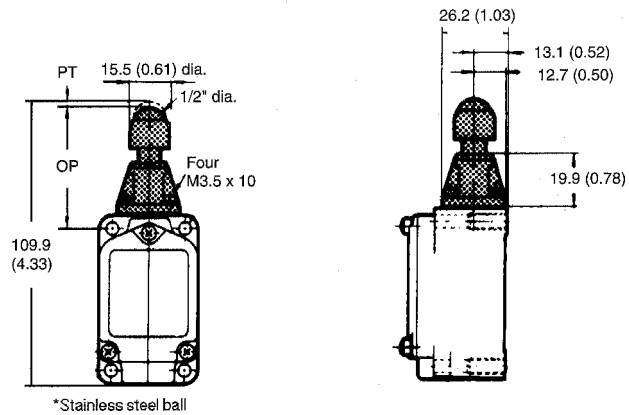
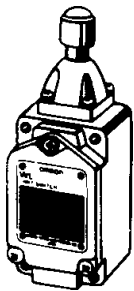
WLD2-TS Roller Plunger Switch



WLD28-TS Sealed Roller Plunger Switch

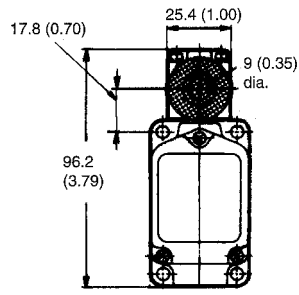
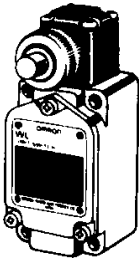


WLD3-TS Ball Plunger Switch

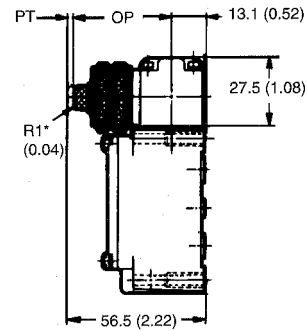


Unit: mm (inch)

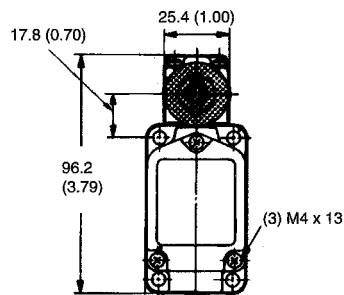
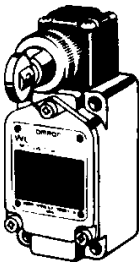
WLS-D-TS Horizontal Plain Plunger Switch



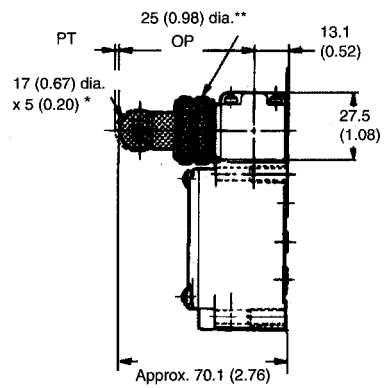
*Stainless steel plunger



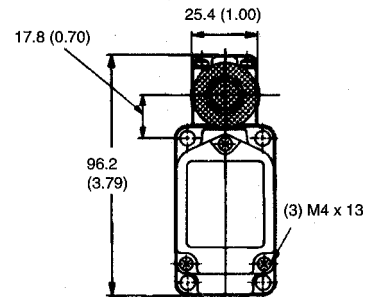
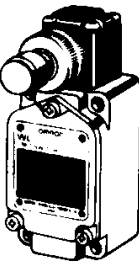
WLS-D2-TS Horizontal Roller Plunger Switch



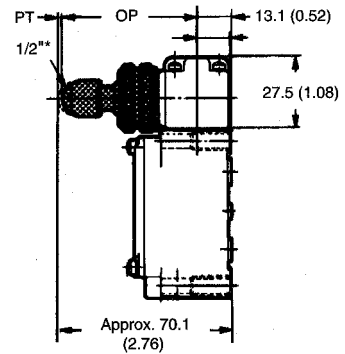
* Stainless steel roller
 ** Face nut (by loosening this nut, the direction of the roller may be changed).



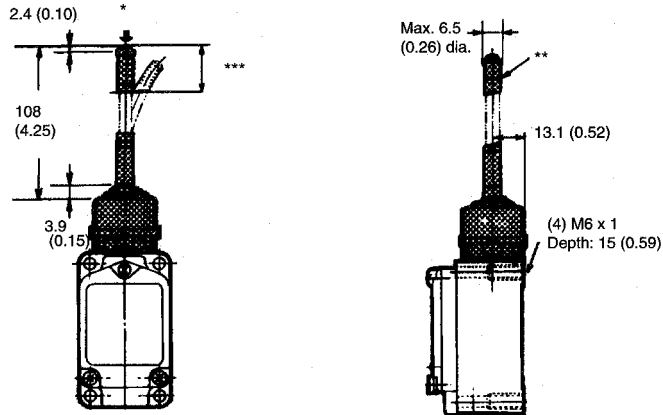
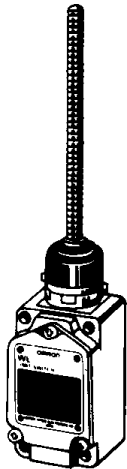
WLS-D3-TS Horizontal Ball Plunger Switch



*Stainless steel ball

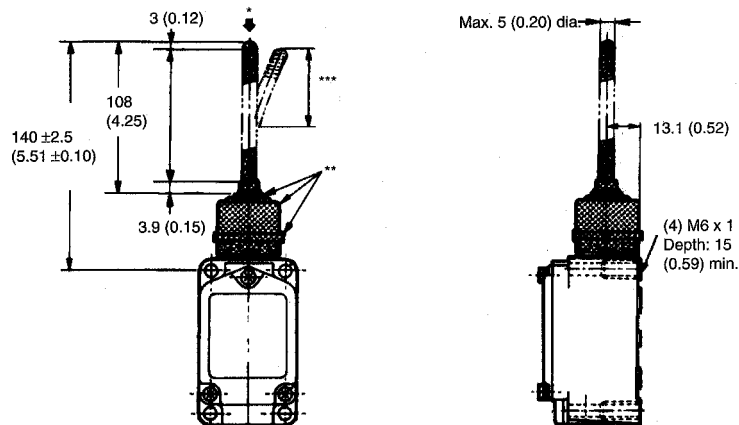
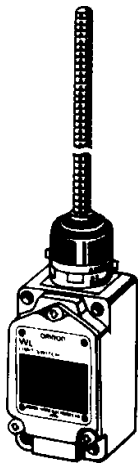


WLNJ-TS Coil Spring Switch



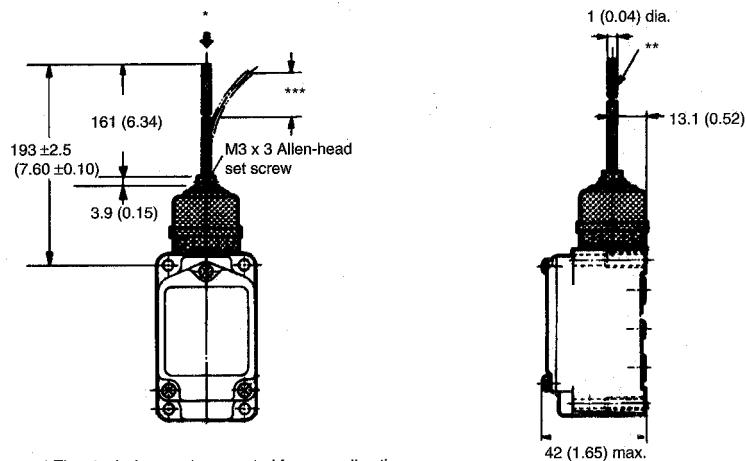
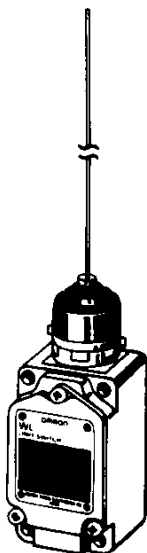
* The steel wire may be operated from any direction except the axial direction (↓).
 **Stainless steel coil spring.
 ***Optimum operating range of the coil spring is within 1/3 of the entire length from the top end.

WLNJ30-TS Coil Spring Switch



* The coil spring may be operated from any direction except the axial direction (↓). No clearance occurs between the wires of this spring when warped or bent.
 **Rubber cap and clamping band.
 ***Optimum operating range of the coil spring is within 1/3 of the entire length from the top end.

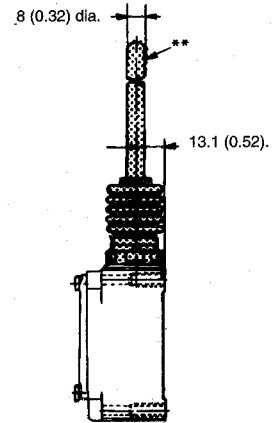
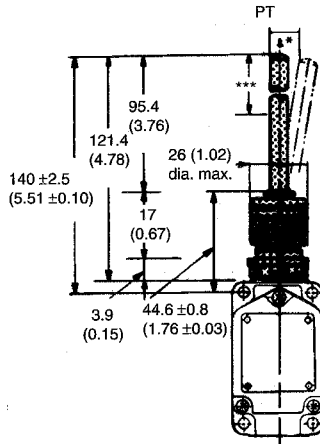
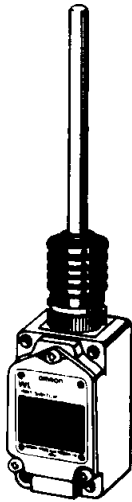
WLNJ-S2TS Steel Wire Switch



* The steel wire may be operated from any direction except the axial direction (↓).
 **Stainless steel wire.
 ***Optimum operating range of the steel wire is within 1/3 of the entire length from the top end.

Unit: mm (inch)

WLNJ-2TS Nylon Rod Switch

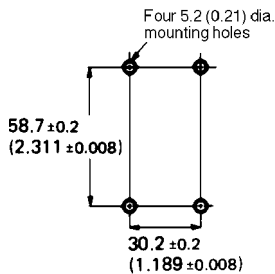


* The polyamide resin rod may be operated from any direction except the axial direction (↓).
 No clearance exists between the wires of spring when warped or bent.
 ** Polyamide resin rod.
 *** Optimum operating range of the coil spring is within 1/3 of its entire length from the top end.

Installation

■ MOUNTING HOLES

Most WL Switches

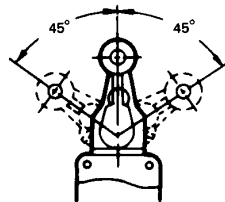


Customized Models

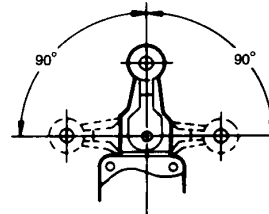
Overtravel Type

Overtravel type limit switches offer a longer overtravel (OT) to accommodate different cam shapes. The key difference between "standard" and "overtravel" is in the angle of operation: overtravel types can operate at 90° on either side of the center point. Standard types are recommended for operation at 45° on either side of the center point. However, overtravel type switches cannot be expected to provide 90° operation on only one side.

Standard Limit Switches



Overtravel Limit Switches



■ OPERATING CHARACTERISTICS

Legend: OF = Operating Force (max.); RF = Reset Force (min.); OT = Overtravel (min.); PT = Pretravel
 MD = Movement Differential (max.); OP = Operating Position; TT = Total Travel (min.)

Part number	Description	OF	RF	OT	PT	MD	TT
WLCA2-2-TS	Short roller lever	900 g (31.74 oz.)	50 g (1.76 oz.)	60°	25° ±5°	16°	90°
WLCA12-2-TS	Adjustable roller lever	900 g (31.74 oz.)	50 g (1.76 oz.)	60°	25° ±5°	16°	90°
WLCL-2-TS	Adjustable rod lever, 140 mm L	260 g (9.17 oz.)	10 g (0.35 oz.)	60°	25° ±5°	16°	90°
WLCAL4-2-TS	Adjustable rod lever, 380 mm L	80 g (2.82 oz.)	8 g (0.28 oz.)	60°	25° ±5°	16°	90°
WLCAL5-2-TS	Spring	80 g (2.82 oz.)	8 g (0.28 oz.)	60°	25° ±5°	16°	90°

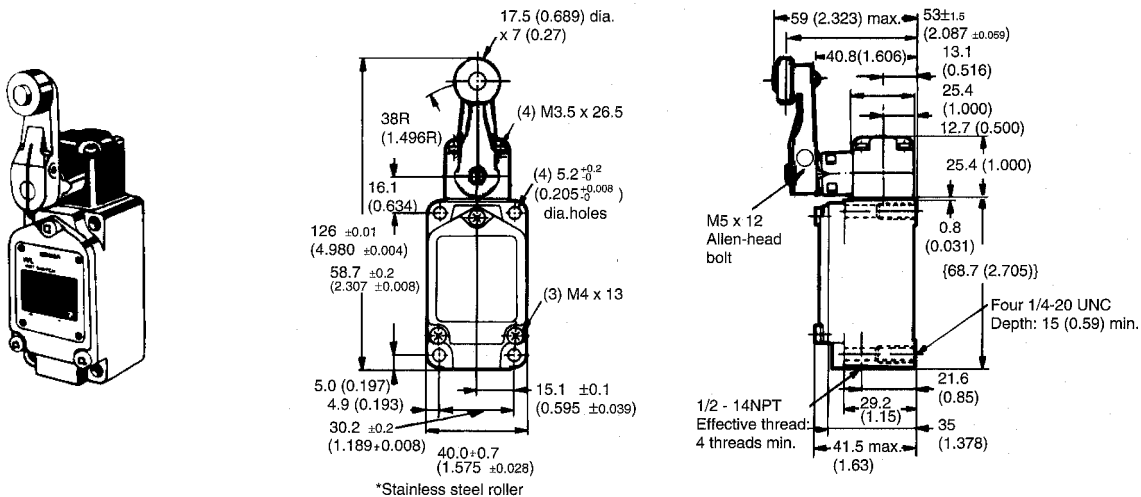
Note:

Levers for WLCAL4-2-TS and WLCAL5-2-TS have a large tare, so positioning the actuator with the bottom up will reduce chattering.
 Operating characteristics of WLCA12-2-TS are measured at arm length of 38 mm (1.29 in).
 Operating characteristics of WLCL-2-TS are at arm length of 140 mm (5.51 in)
 Operating characteristics of WLCAL4-2-TS are measured at rod length of 380 mm (1.25 ft)
 Operating characteristics of WLCAL5-2-TS are measured at rod length of 412.5 mm (1.35 ft)

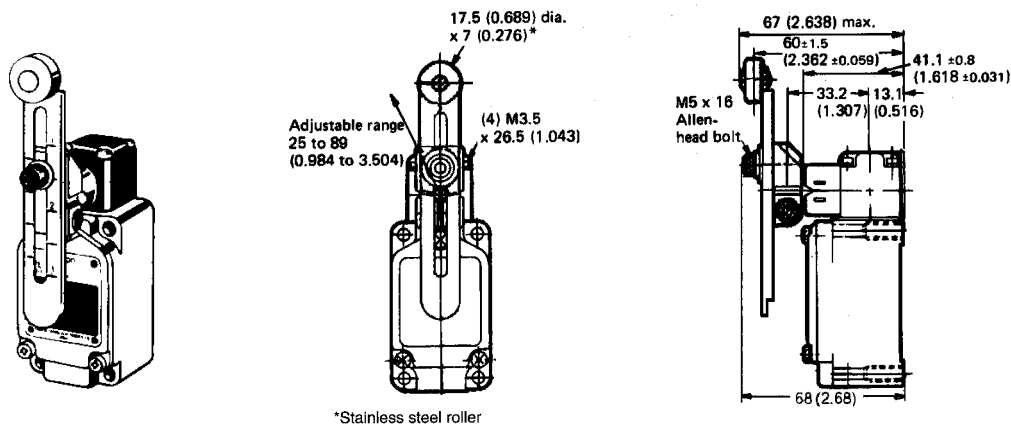
■ DIMENSIONS

Unit: mm (inch)

WLCA2-2TS Short Roller Lever Overtravel Switch

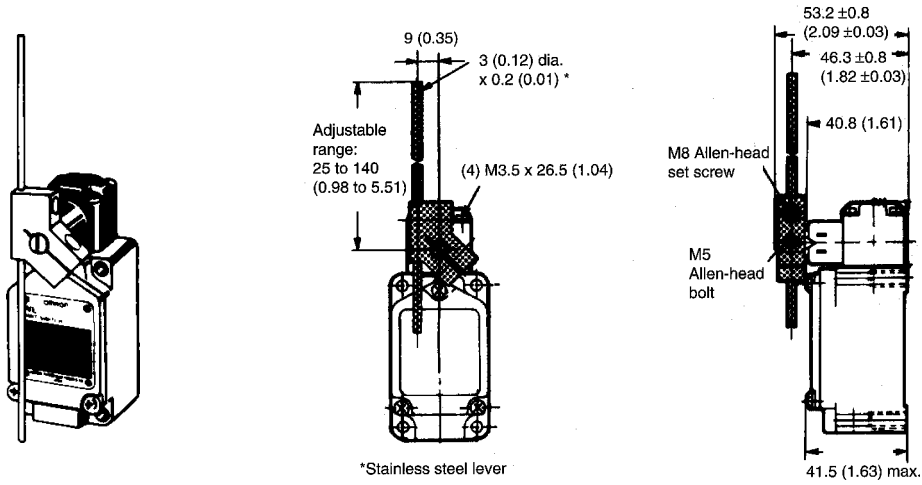


WLCA12-2TS Adjustable Roller Lever Overtravel Switch

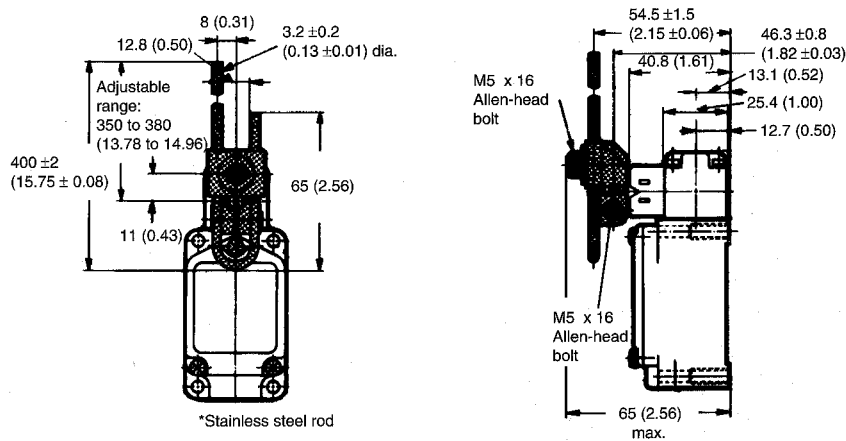


Unit: mm (inch)

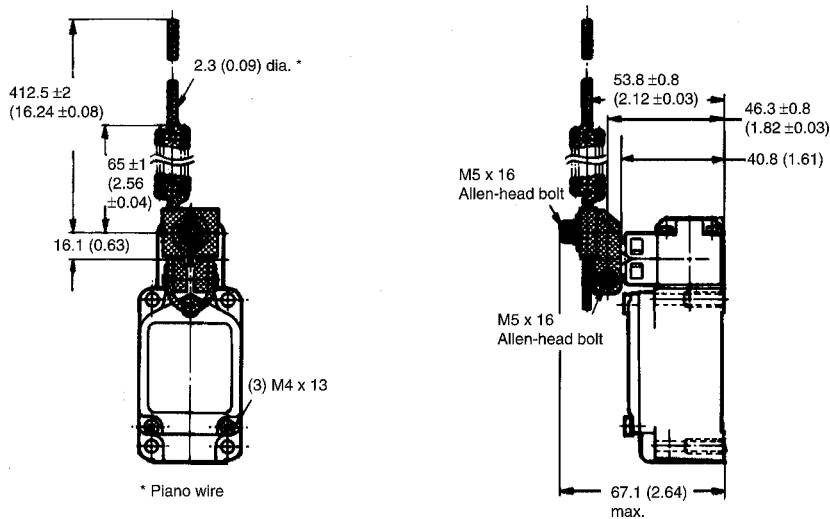
WLCL-2TS Adjustable Rod Lever Overtravel Switch



WLCAL4-2TS Long Adjustable Rod Lever Overtravel Switch

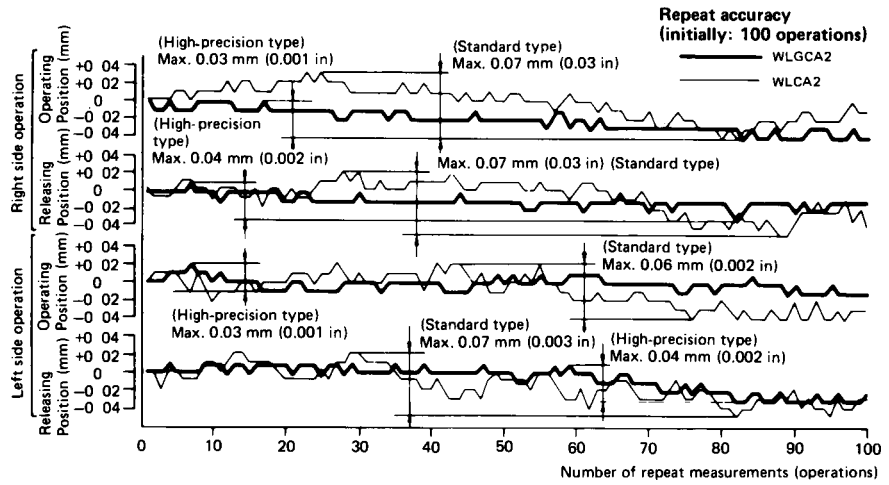


WLCAL5-2TS Adjustable Spring Lever Overtravel Switch



High-Precision Type

The key differences between "high-precision" and "standard" limit switches are in the pretravel (PT) ratings and the repeat accuracy. High-precision switches have a pretravel (PT) of 5° compared to 20° for standard switches. The repeat accuracy is best compared by referring to the graph at right. High-precision switches are ideal for positioning control in machine tools and other applications.



OPERATING CHARACTERISTICS

Legend: OF = Operating Force (max.); RF = Reset Force (min.); OT = Overtravel (min.); PT = Pretravel;
MD = Movement Differential (max.)

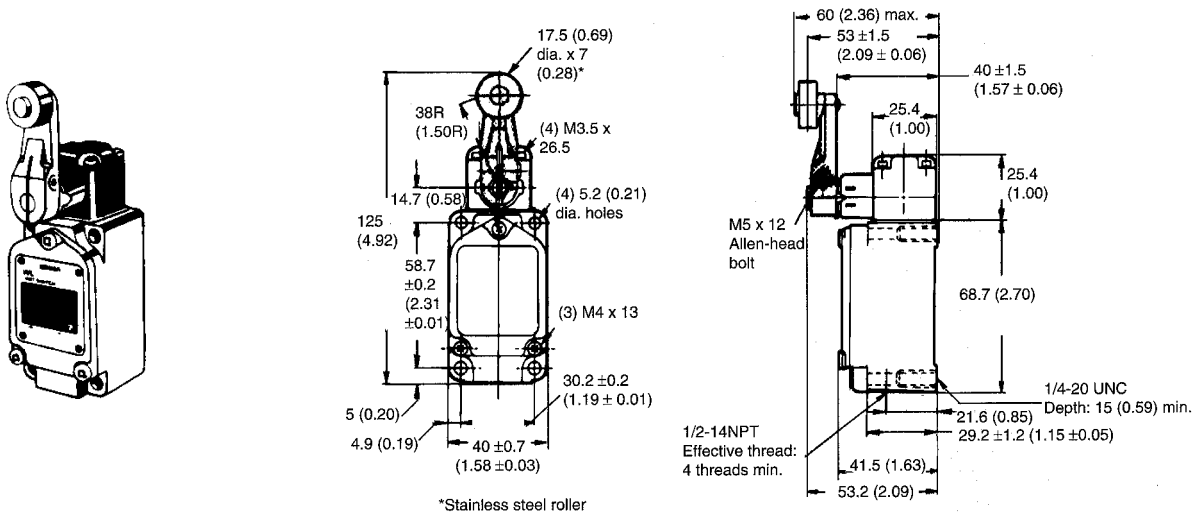
Part number	Description	OF	RF	OT	PT	MD
WLGA2-TS	Short roller lever	1.3 kg (47.97 oz.)	150 g (5.29 oz.)	40°	5° (+2°/-0°)	3°
WLGA2-2-TS	Overtravel short roller lever	900 g (31.74 oz.)	50 g (1.76 oz.)	85°	8° max.	3°
WLGA2-7-TS	Medium roller lever	1.04 kg (36.68 oz.)	110 g (3.88 oz.)	40°	5°	3°
WLGA2-8-TS	Long roller lever	820 g (28.92 oz.)	90 g (3.17 oz.)	40°	5°	3°
WLGA12-TS	Adjustable roller lever	1.36 kg (47.97 oz.)	150 g (5.29 oz.)	40°	5° (+2°/-0°)	3°
WLGL-TS	Adjustable rod lever, 140 mm L	400 g (14.1 oz.)	10 g (0.35 oz.)	40°	5° (+2°/-0°)	3°

Note:
Operating characteristics of WLGA12-TS are measured at arm length of 38 mm (1.29 in).
Operating characteristics of WLGL-TS are at arm length of 140 mm (5.51 in)

DIMENSIONS

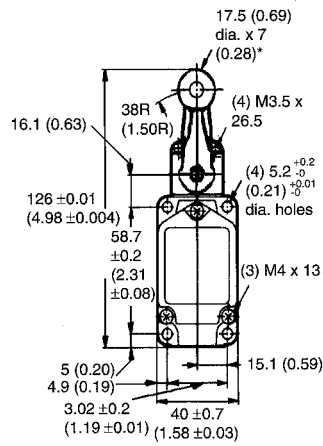
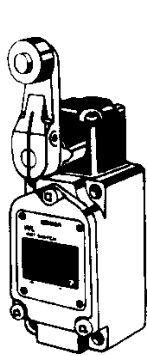
Unit: mm (inch)

WLGA2-TS Short Roller Lever High Precision Switch

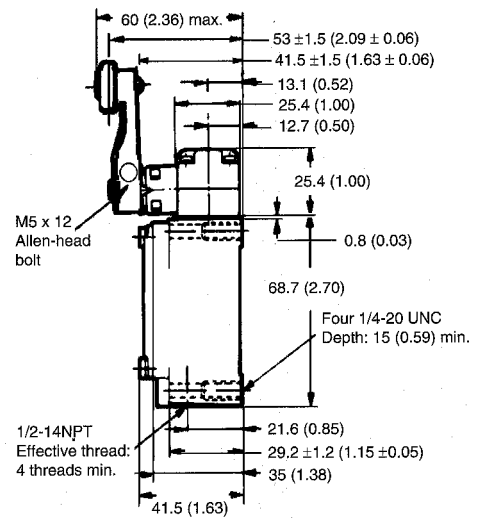


Unit: mm (inch)

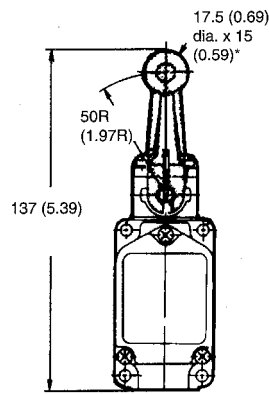
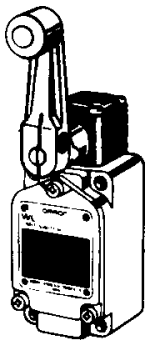
WLGCA2-2TS Short Overtravel Roller Lever High Precision Switch



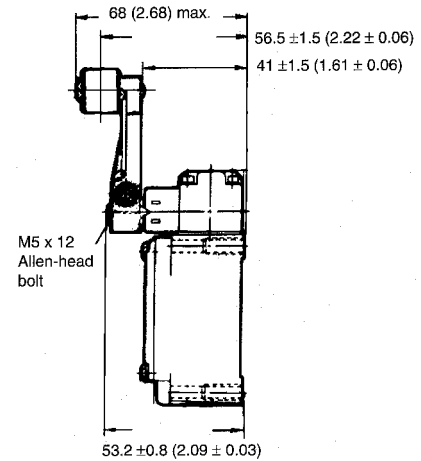
*Stainless steel roller



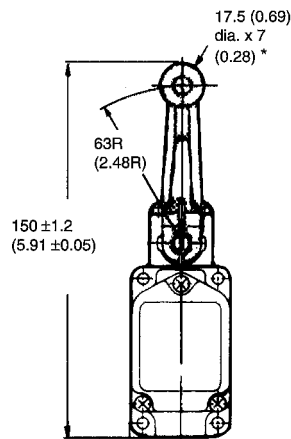
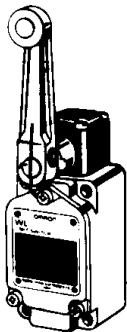
WLGCA2-7TS Medium Roller Lever High Precision Switch



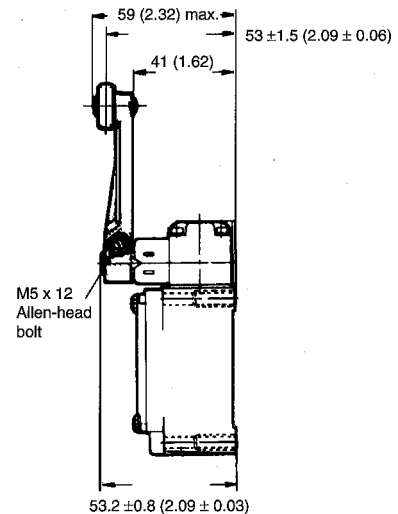
*Stainless steel roller



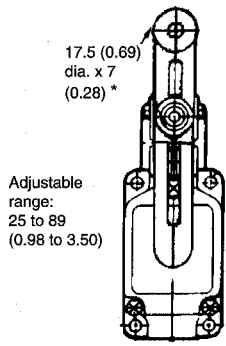
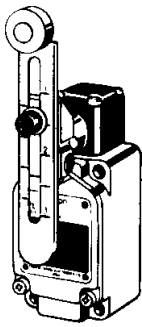
WLGCA2-8TS Long Roller Lever High Precision Switch



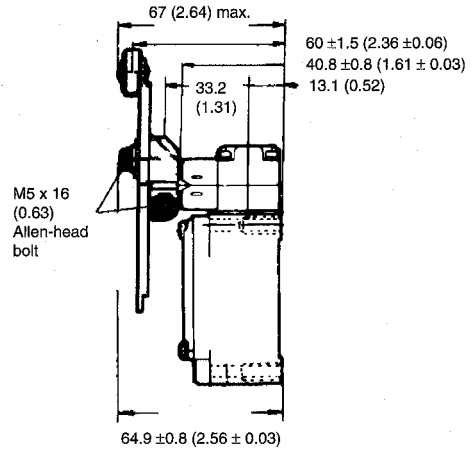
*Stainless steel roller



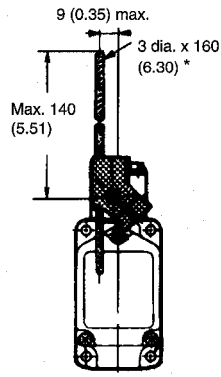
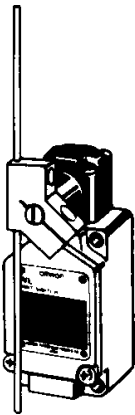
WLGA12-TS Adjustable Roller Lever High Precision Switch



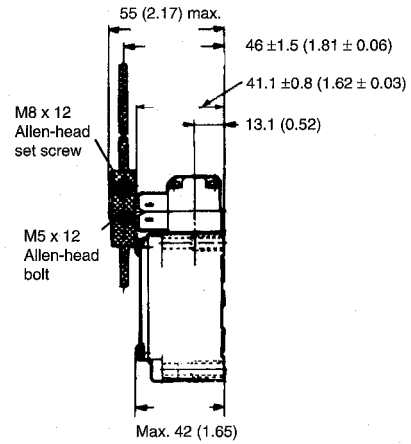
*Stainless steel roller



WLGL-TS Adjustable Rod Lever High Precision Switch



*Stainless steel lever





OMRON ELECTRONICS LLC

One East Commerce Drive
Schaumburg, IL 60173

1-800-55-OMRON

Cat. No. CEDSAX4

11/01

OMRON ON-LINE

Global - <http://www.omron.com>
USA - <http://www.omron.com/oei>
Canada - <http://www.omron.com/oci>

Specifications subject to change without notice.

OMRON CANADA, INC.

885 Milner Avenue
Scarborough, Ontario M1B 5V8

416-286-6465

Printed in the U.S.A.